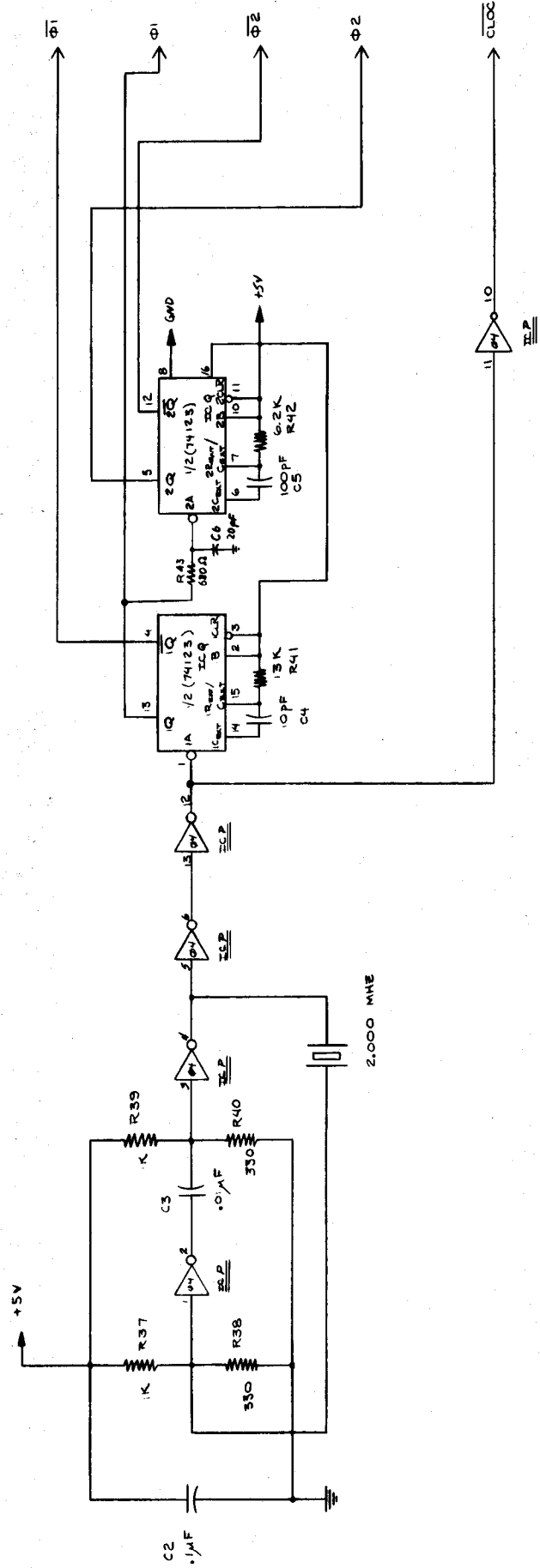


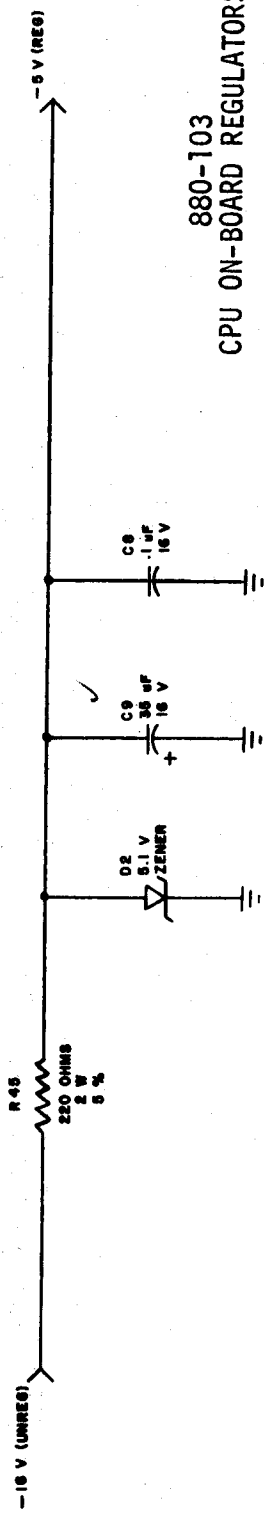
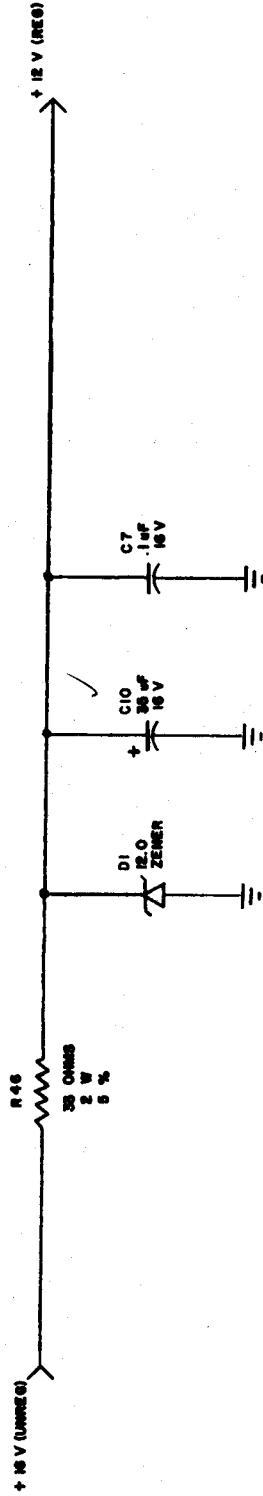
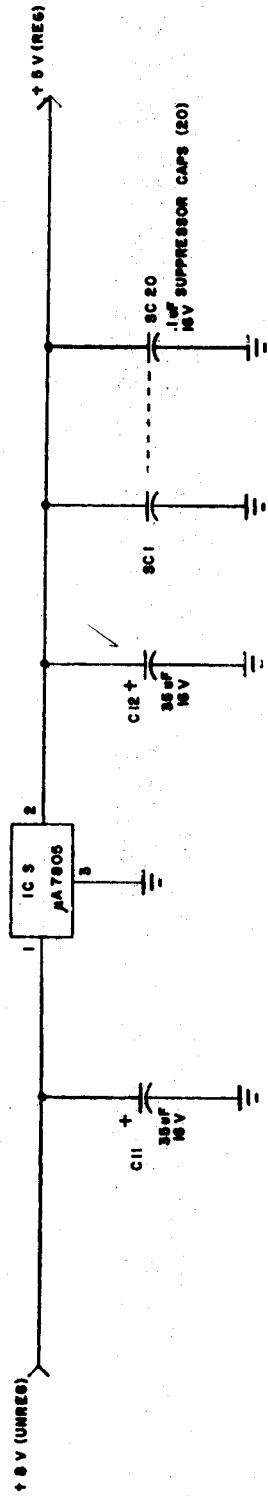
880-102

cpu



880-102 SYSTEM CLOCK (details)

88-103  
cpu

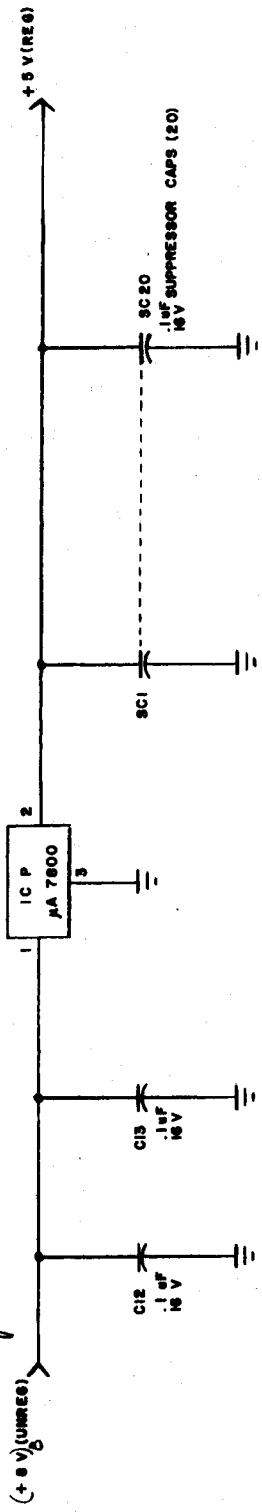


880-103  
CPU ON-BOARD REGULATORS

880-104

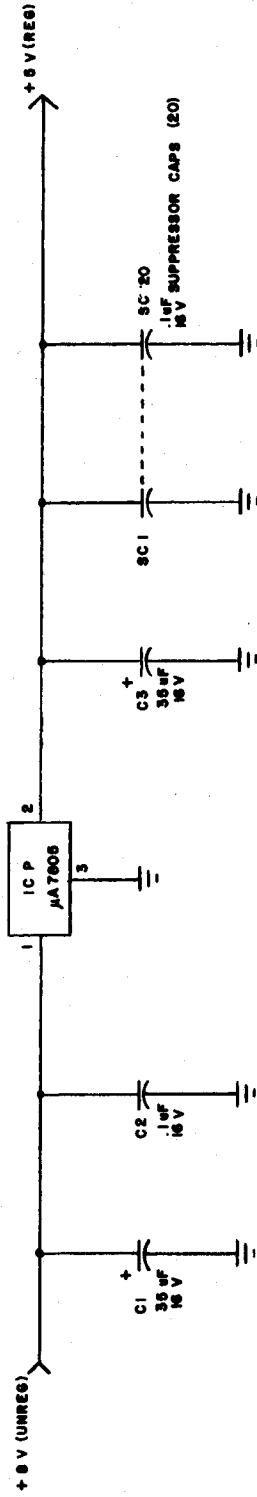
d/c

*add 100k  
to  
100k*



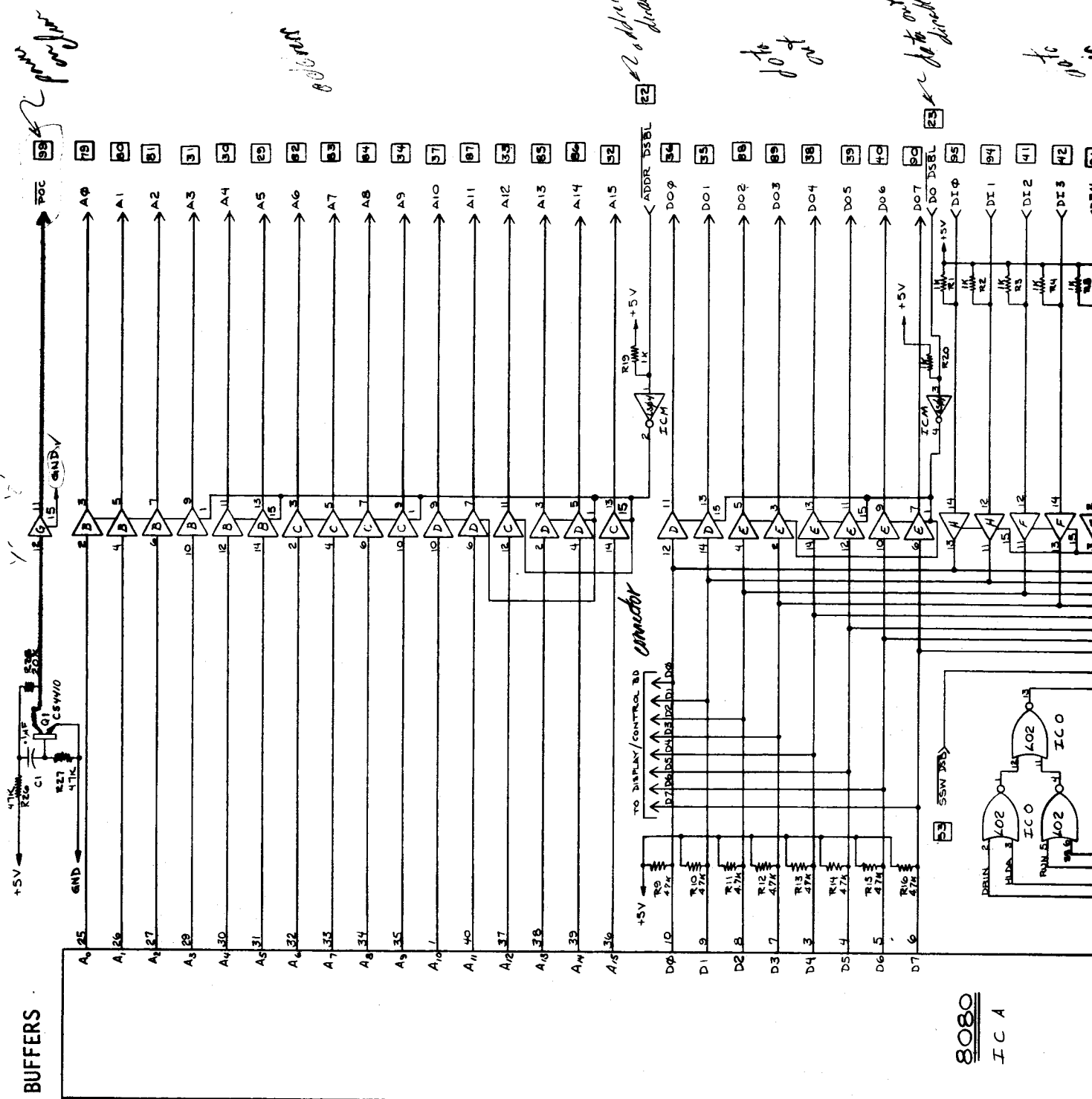
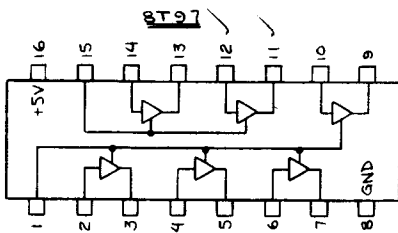
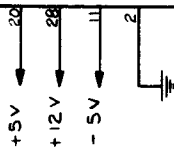
880-104  
DISPLAY/CONTROL ON-BOARD REGULATOR

880-108  
1K static memory



880-108  
1K STATIC MEMORY ON-BOARD REGULATOR

880-101  
COMPUTER CPU & BUFFERS



8080  
I C A

*Handwritten notes:*  
 14  
 13  
 12  
 11  
 10  
 9  
 8  
 7  
 6  
 5  
 4  
 3  
 2  
 1  
 0  
 -5V  
 +12V  
 +5V  
 GND

*Handwritten notes:*  
 19  
 18  
 17  
 16  
 15  
 14  
 13  
 12  
 11  
 10  
 9  
 8  
 7  
 6  
 5  
 4  
 3  
 2  
 1  
 0  
 -5V  
 +12V  
 +5V  
 GND

*Handwritten notes:*  
 22  
 21  
 20  
 19  
 18  
 17  
 16  
 15  
 14  
 13  
 12  
 11  
 10  
 9  
 8  
 7  
 6  
 5  
 4  
 3  
 2  
 1  
 0  
 -5V  
 +12V  
 +5V  
 GND

*Handwritten notes:*  
 23  
 22  
 21  
 20  
 19  
 18  
 17  
 16  
 15  
 14  
 13  
 12  
 11  
 10  
 9  
 8  
 7  
 6  
 5  
 4  
 3  
 2  
 1  
 0  
 -5V  
 +12V  
 +5V  
 GND

*Handwritten notes:*  
 24  
 23  
 22  
 21  
 20  
 19  
 18  
 17  
 16  
 15  
 14  
 13  
 12  
 11  
 10  
 9  
 8  
 7  
 6  
 5  
 4  
 3  
 2  
 1  
 0  
 -5V  
 +12V  
 +5V  
 GND

*Handwritten notes:*  
 25  
 24  
 23  
 22  
 21  
 20  
 19  
 18  
 17  
 16  
 15  
 14  
 13  
 12  
 11  
 10  
 9  
 8  
 7  
 6  
 5  
 4  
 3  
 2  
 1  
 0  
 -5V  
 +12V  
 +5V  
 GND

*Handwritten notes:*  
 26  
 25  
 24  
 23  
 22  
 21  
 20  
 19  
 18  
 17  
 16  
 15  
 14  
 13  
 12  
 11  
 10  
 9  
 8  
 7  
 6  
 5  
 4  
 3  
 2  
 1  
 0  
 -5V  
 +12V  
 +5V  
 GND

*Handwritten notes:*  
 27  
 26  
 25  
 24  
 23  
 22  
 21  
 20  
 19  
 18  
 17  
 16  
 15  
 14  
 13  
 12  
 11  
 10  
 9  
 8  
 7  
 6  
 5  
 4  
 3  
 2  
 1  
 0  
 -5V  
 +12V  
 +5V  
 GND

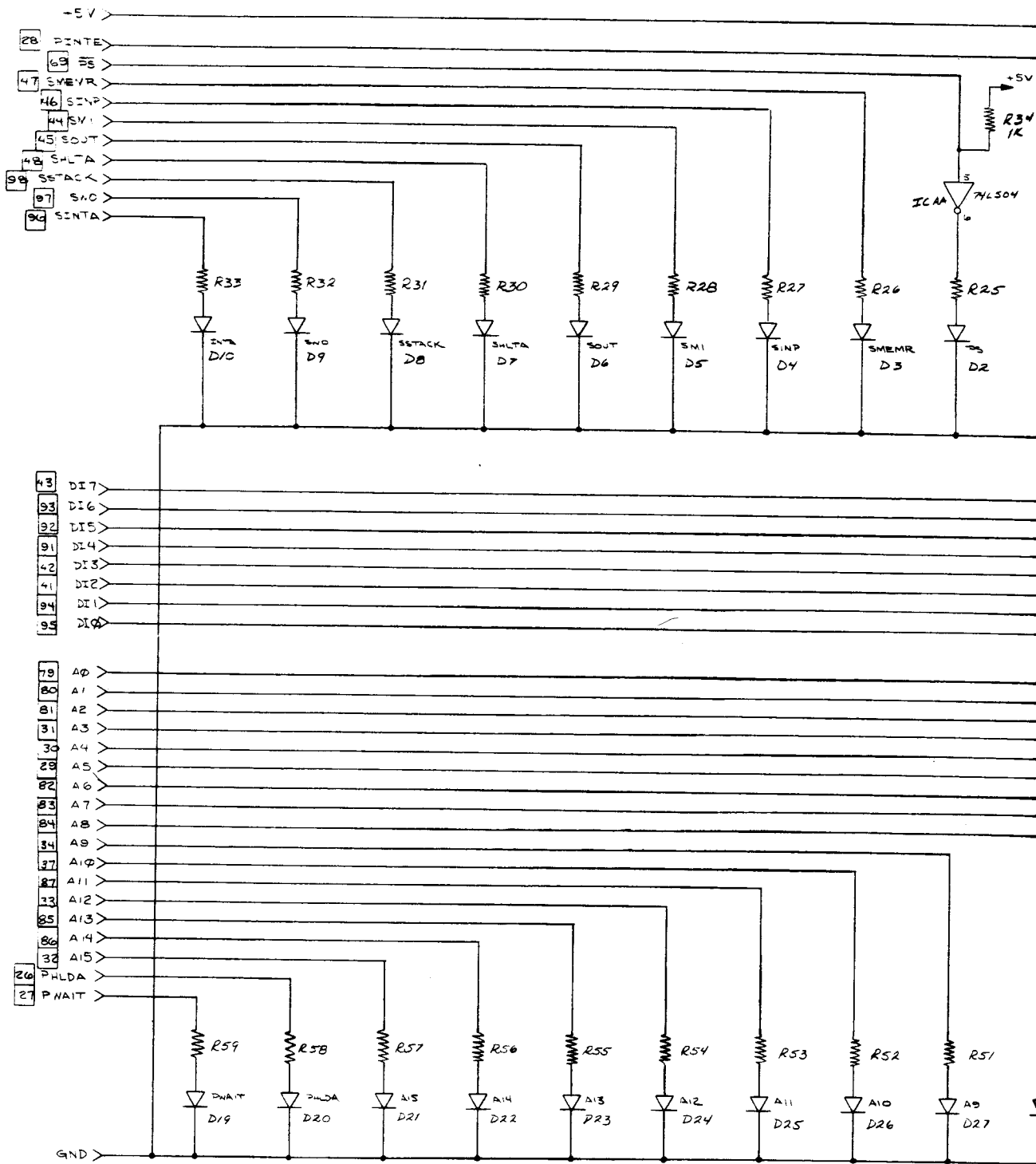
*Handwritten notes:*  
 28  
 27  
 26  
 25  
 24  
 23  
 22  
 21  
 20  
 19  
 18  
 17  
 16  
 15  
 14  
 13  
 12  
 11  
 10  
 9  
 8  
 7  
 6  
 5  
 4  
 3  
 2  
 1  
 0  
 -5V  
 +12V  
 +5V  
 GND

*Handwritten notes:*  
 29  
 28  
 27  
 26  
 25  
 24  
 23  
 22  
 21  
 20  
 19  
 18  
 17  
 16  
 15  
 14  
 13  
 12  
 11  
 10  
 9  
 8  
 7  
 6  
 5  
 4  
 3  
 2  
 1  
 0  
 -5V  
 +12V  
 +5V  
 GND

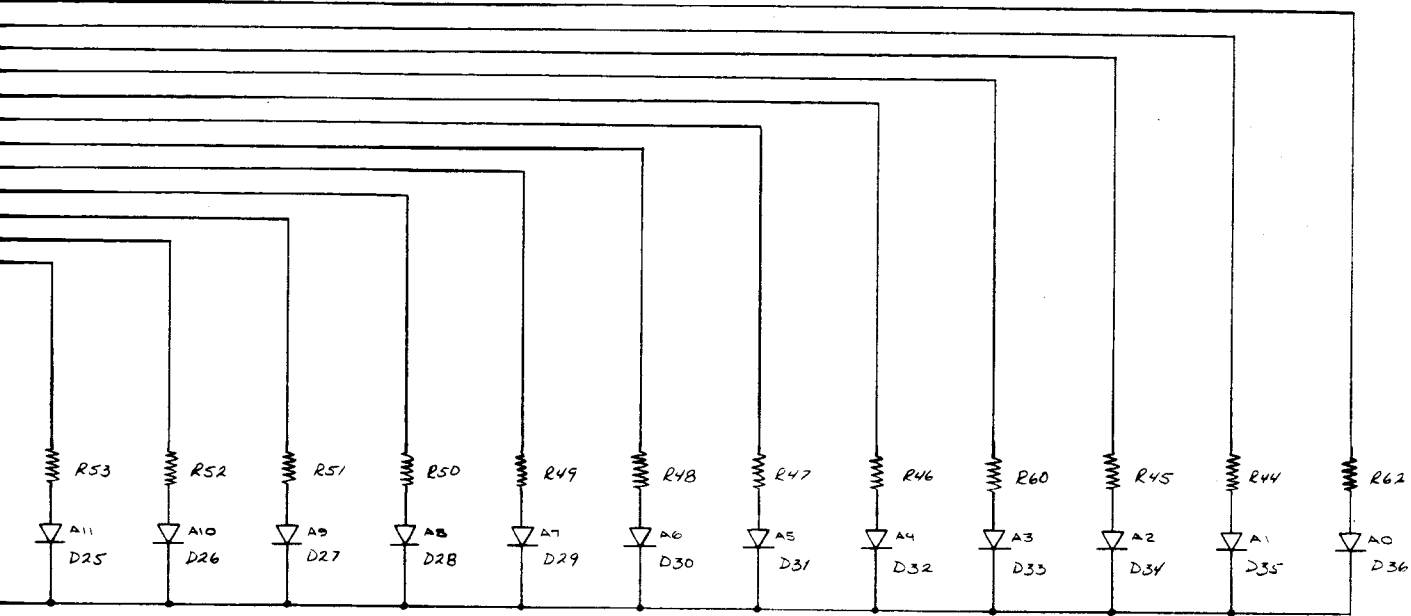
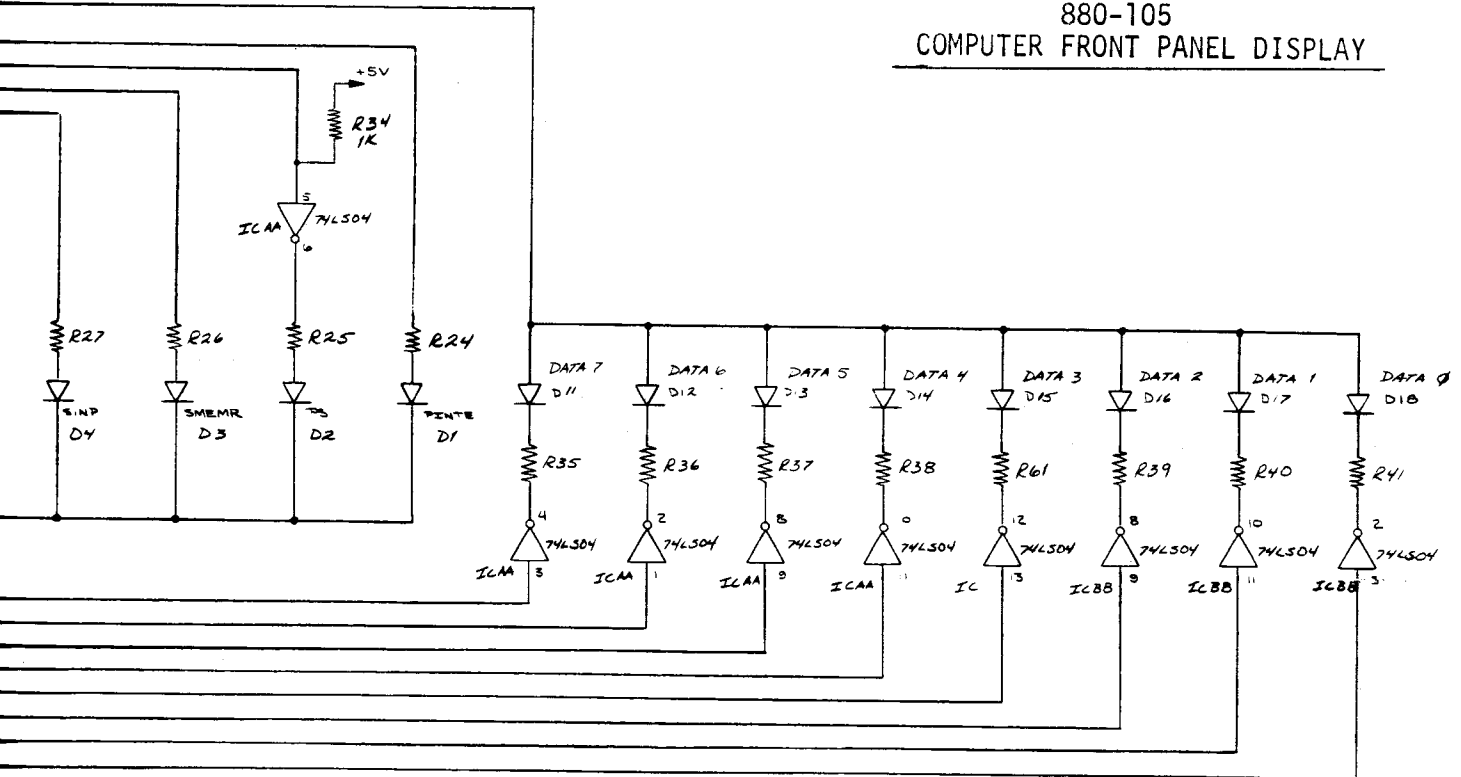
*Handwritten notes:*  
 30  
 29  
 28  
 27  
 26  
 25  
 24  
 23  
 22  
 21  
 20  
 19  
 18  
 17  
 16  
 15  
 14  
 13  
 12  
 11  
 10  
 9  
 8  
 7  
 6  
 5  
 4  
 3  
 2  
 1  
 0  
 -5V  
 +12V  
 +5V  
 GND

*Handwritten notes:*  
 31  
 30  
 29  
 28  
 27  
 26  
 25  
 24  
 23  
 22  
 21  
 20  
 19  
 18  
 17  
 16  
 15  
 14  
 13  
 12  
 11  
 10  
 9  
 8  
 7  
 6  
 5  
 4  
 3  
 2  
 1  
 0  
 -5V  
 +12V  
 +5V  
 GND



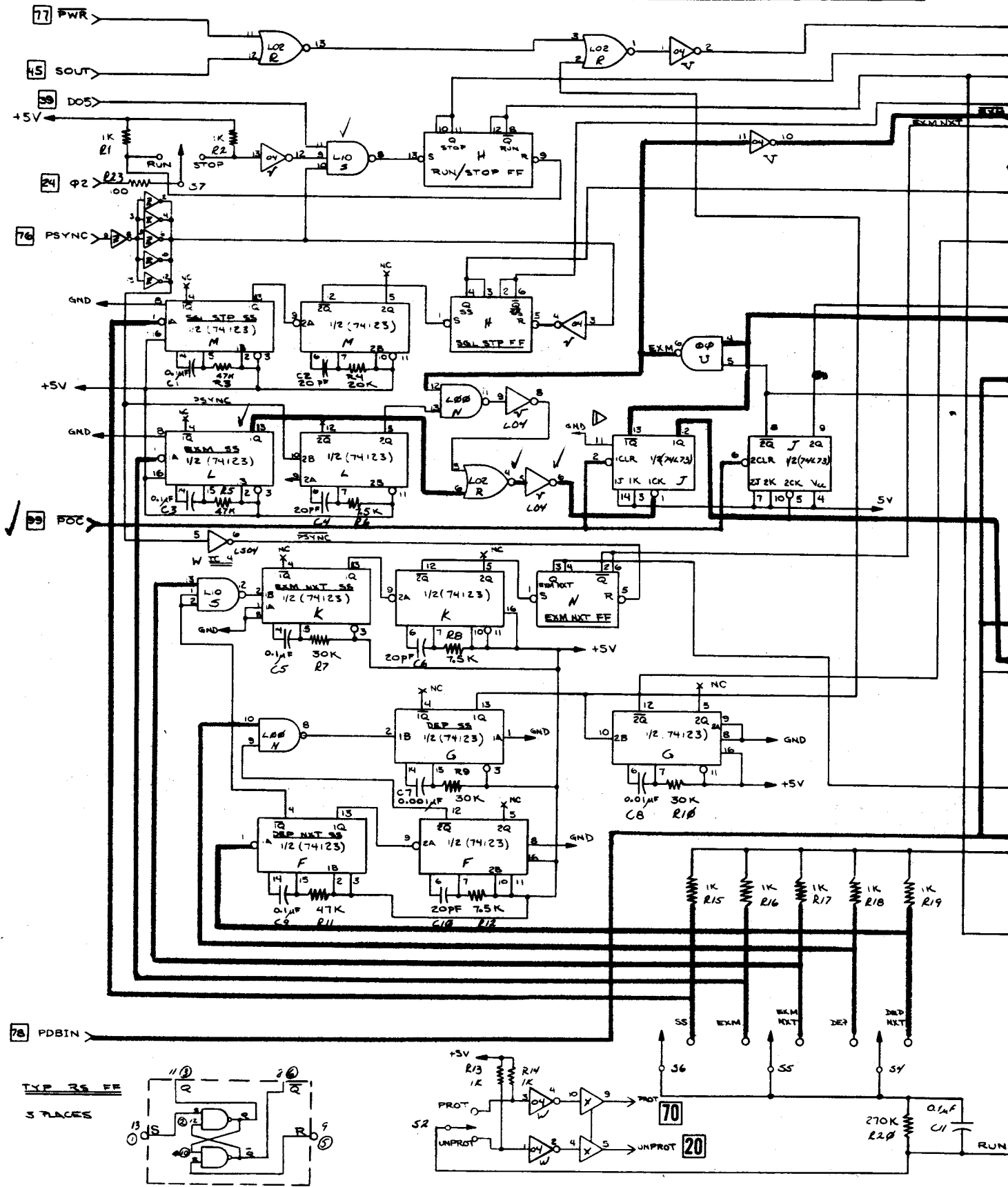


880-105  
COMPUTER FRONT PANEL DISPLAY

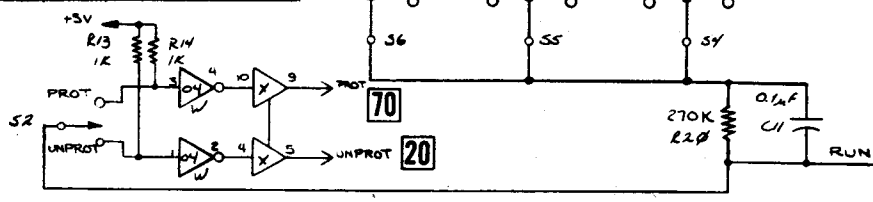
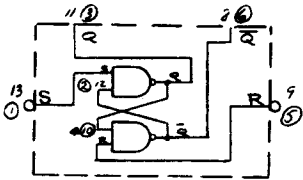




# 880-T06 COMPUTER FRONT PANEL CONTROL

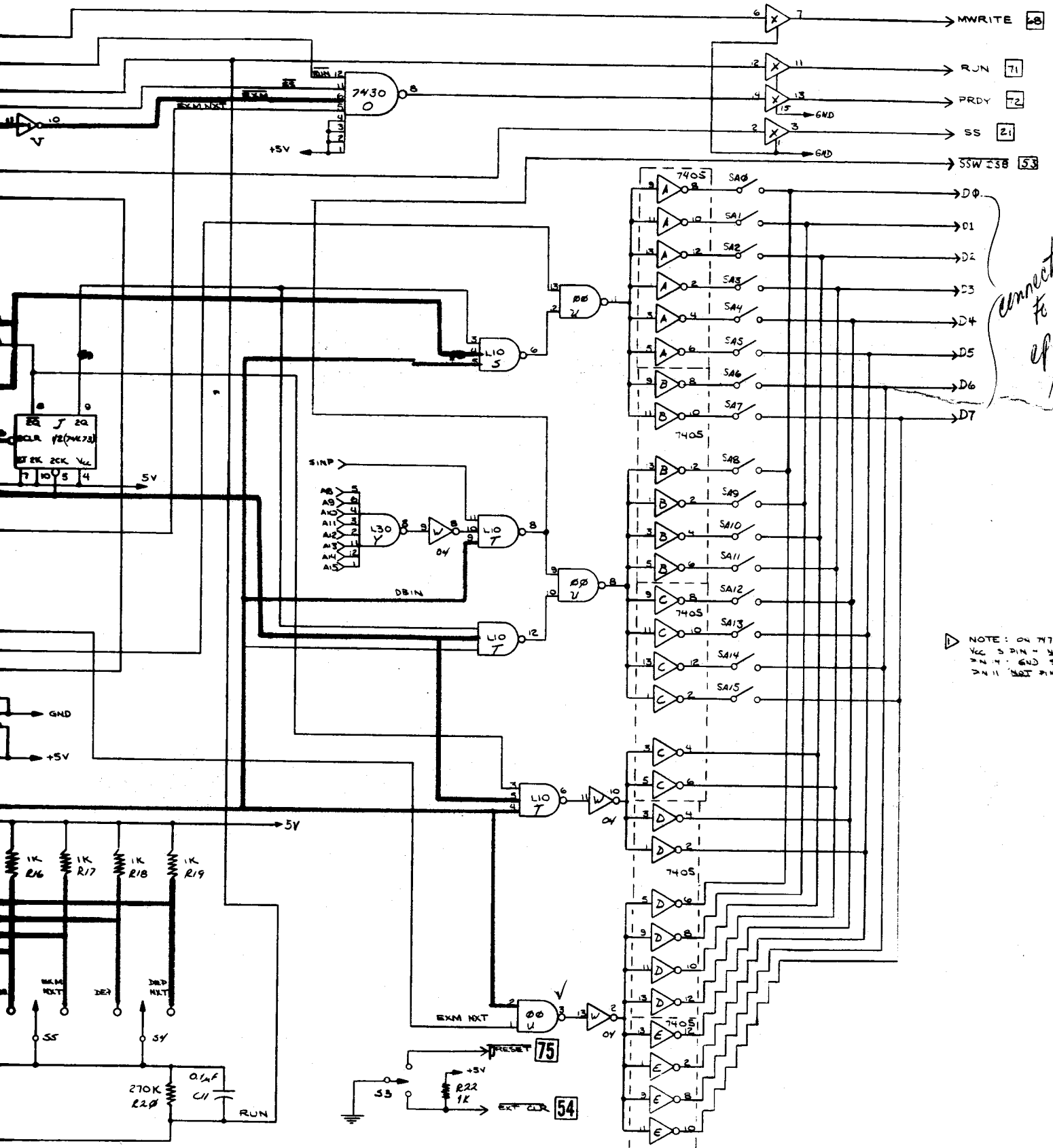


TYP 35 FF  
3 PLACES



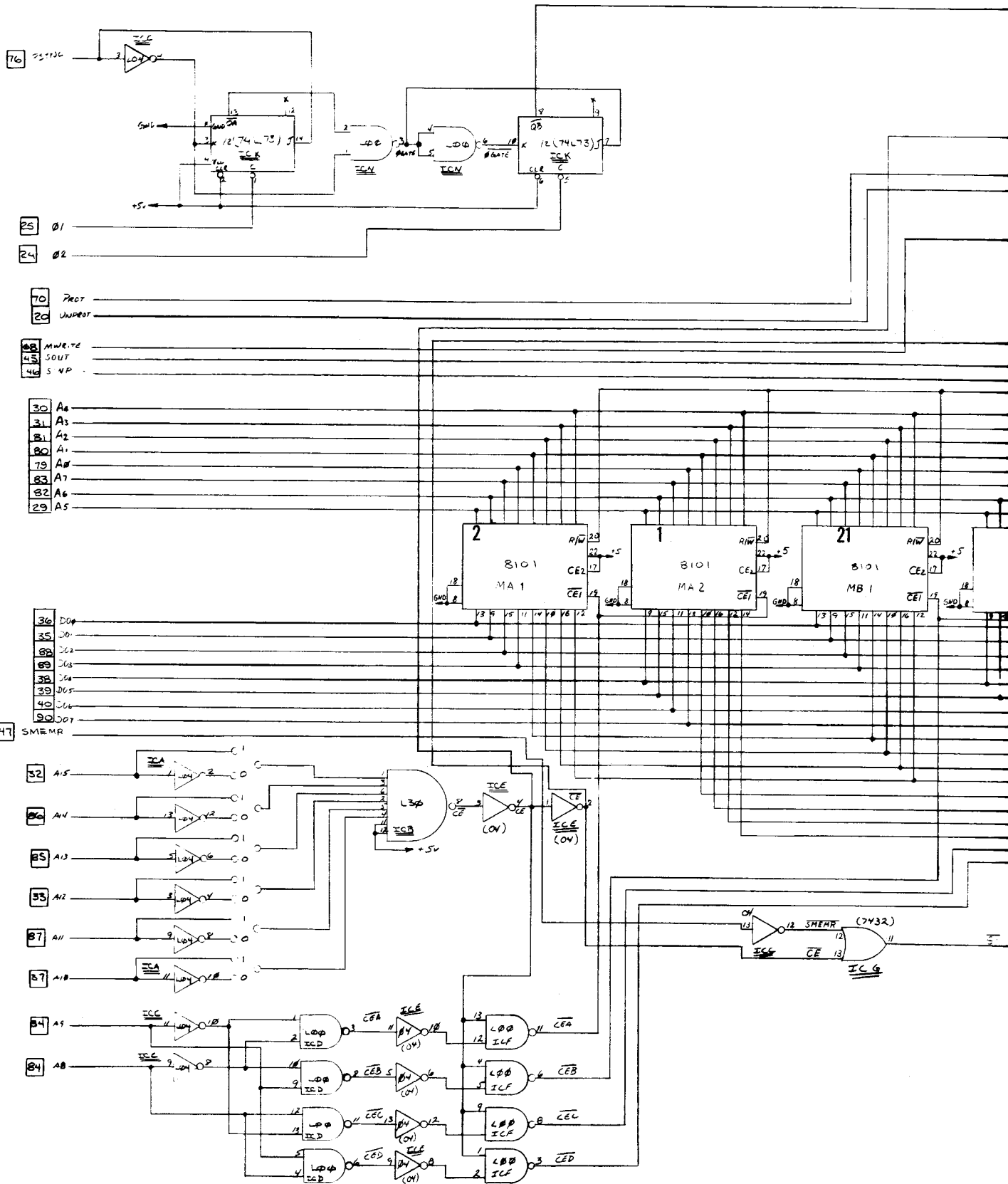
90-106  
FRONT PANEL CONTROL

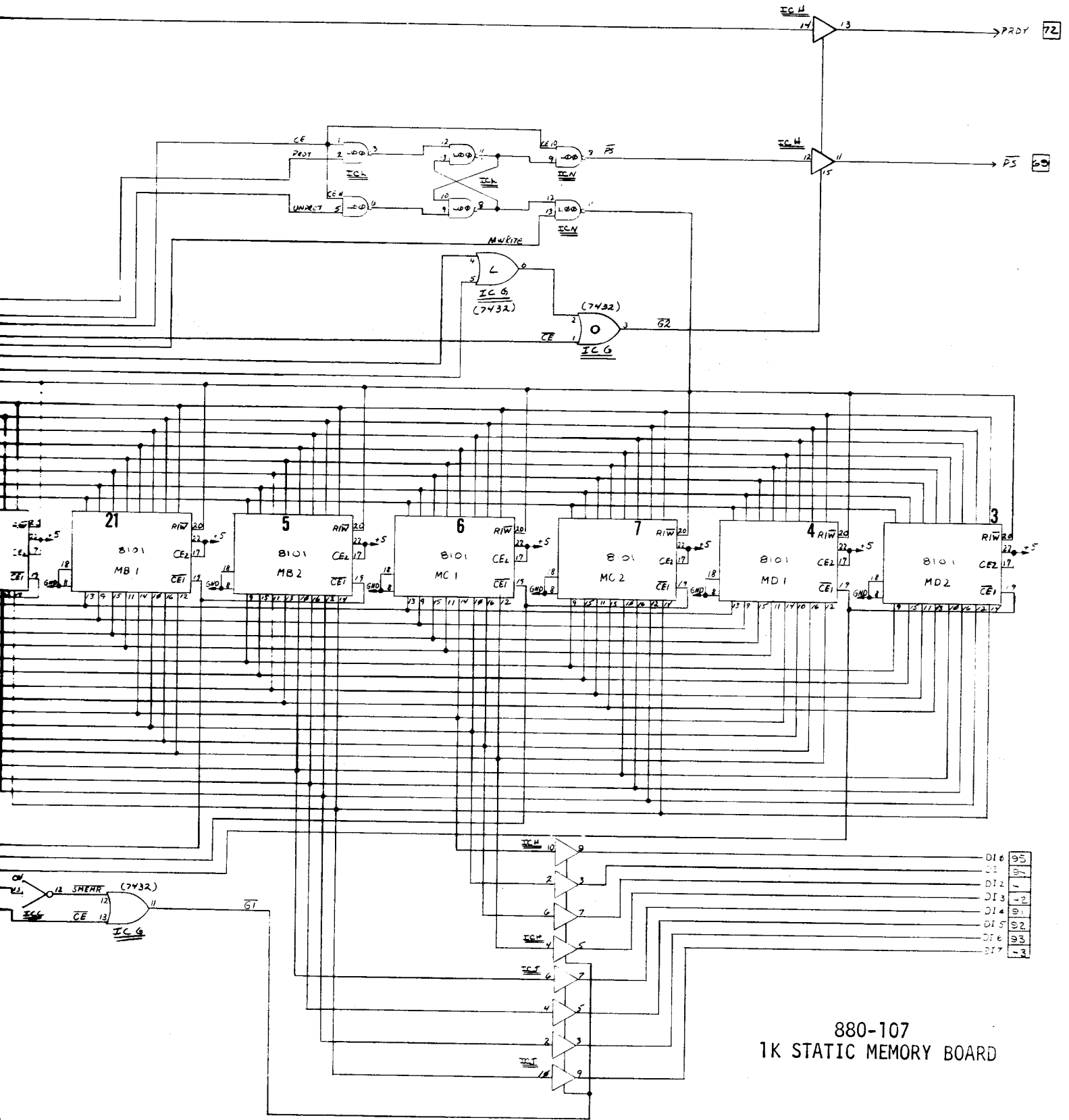
*D/C Board*



*connect to epi board.*

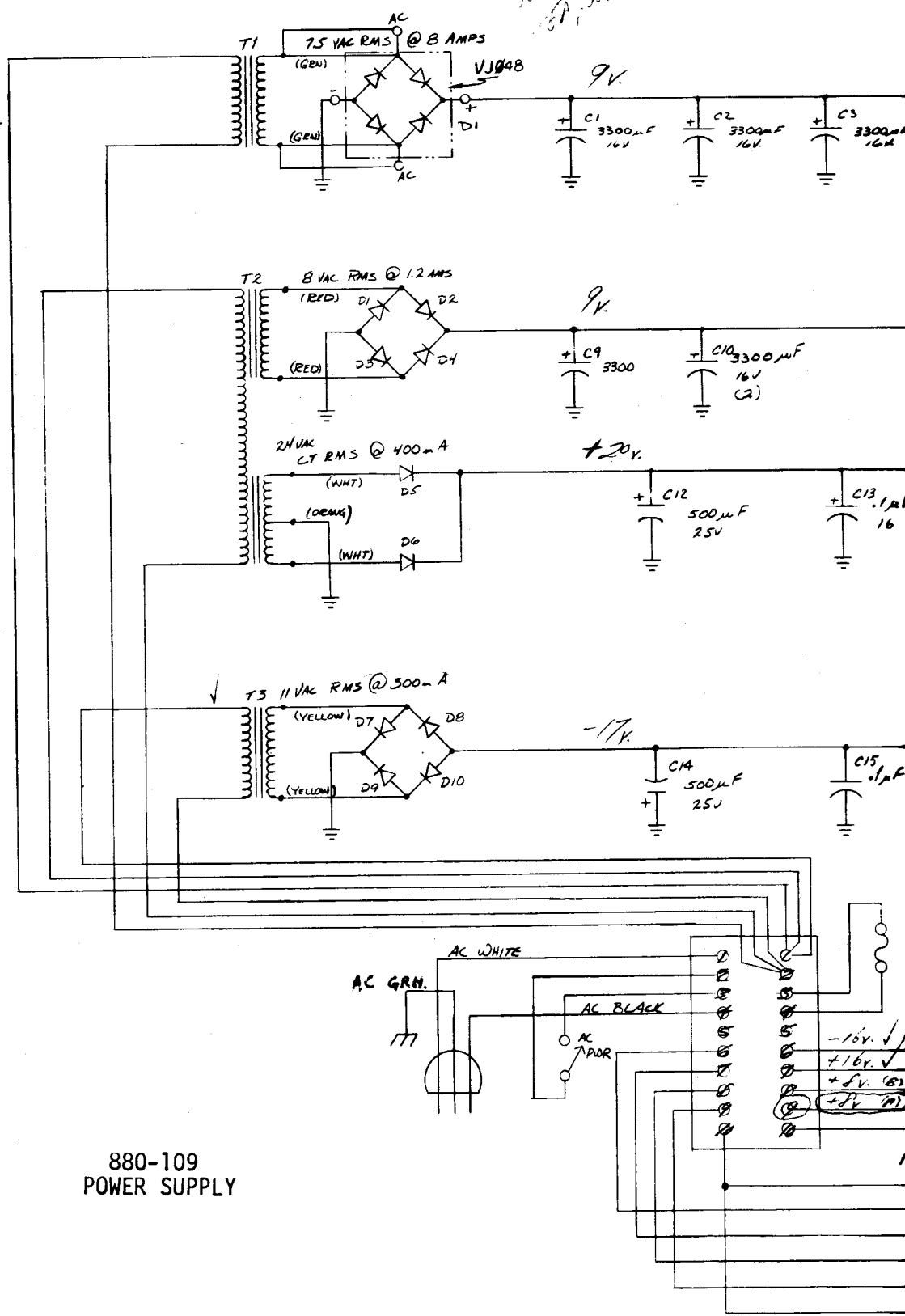
NOTE: ON 7475  
VCC 5 PIN - GND  
2, 4, 5 GND  
3, 6, 7, 11, 12



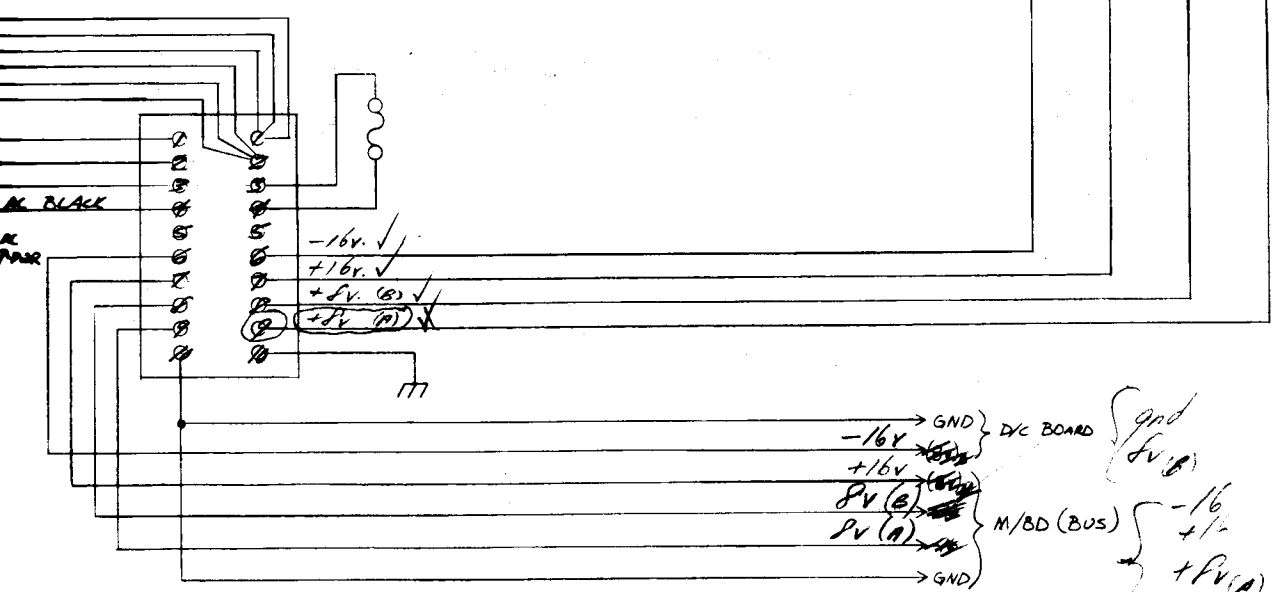
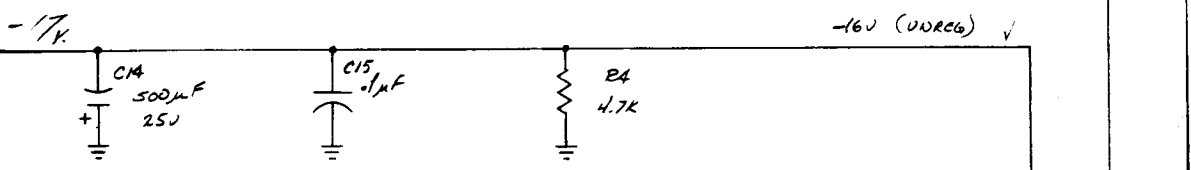
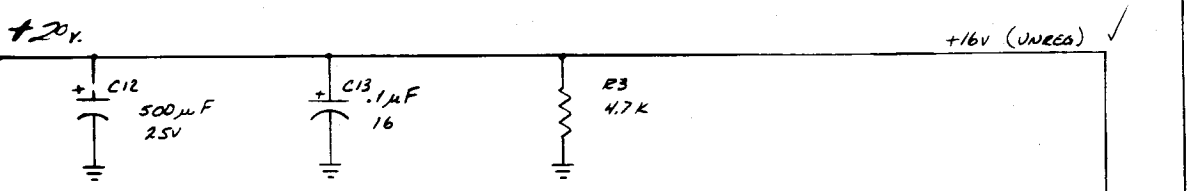
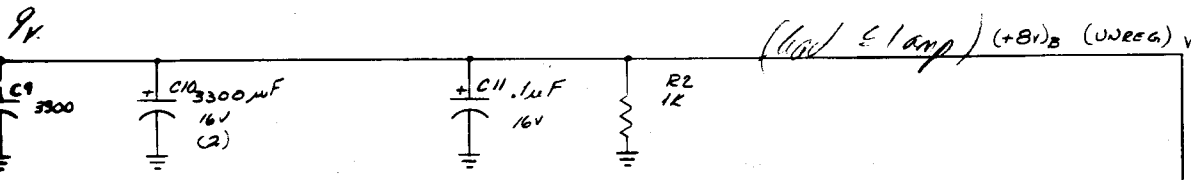
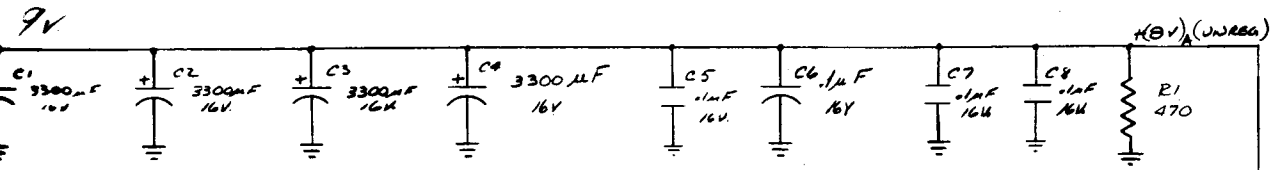


880-107  
1K STATIC MEMORY BOARD

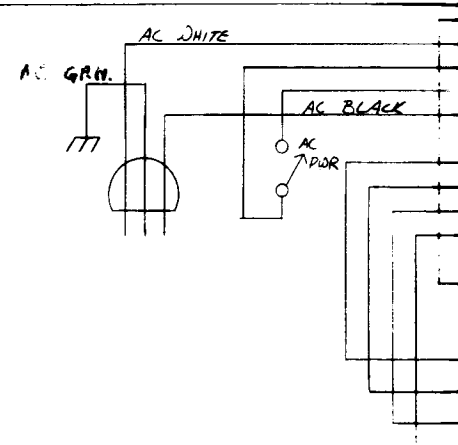
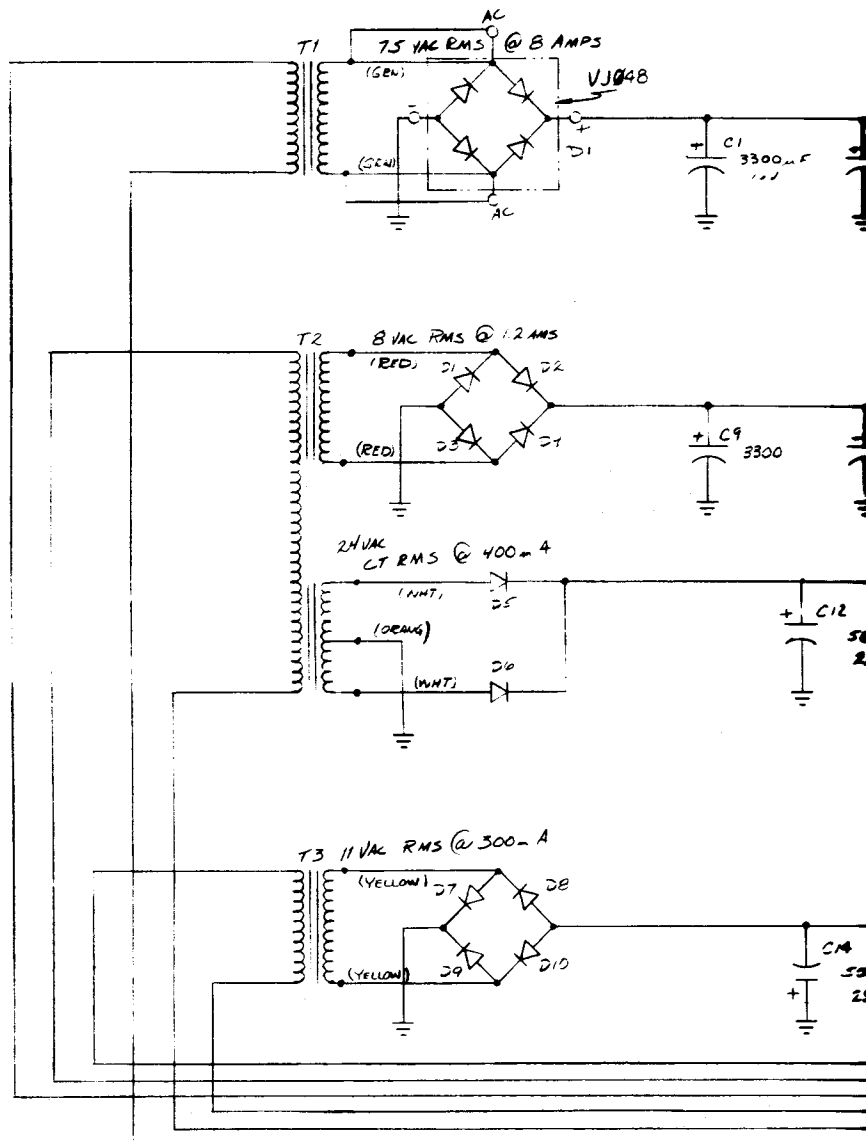
*A fair  
is used as  
in this diagram.*



880-109  
POWER SUPPLY



note 5V<sub>A</sub> goes to bus  
5V<sub>B</sub> goes to d/c board.



880-109  
POWER SUPPLY

(schematic rev. 1)

